



# PROLET<sup>®</sup> ULTRA

BY   
**LETTSA**

## THE LONG LASTING HIGH TRANSPARENCY SHEET



**18 YEARS**  
**GUARANTEE**



## DESIGNED WITH TECHNOLOGY

### Prolet Ultra

1. Long-Lasting polymer (No fiber outcropping for more than 18 years) that is weather resistant, nonabsorbent and endures high and low temperatures.
2. Due to its translucent properties it provides significant savings in electrical energy.
3. Reduced darkening of the polymers (keeps its natural white color for longer) and less oxidation.

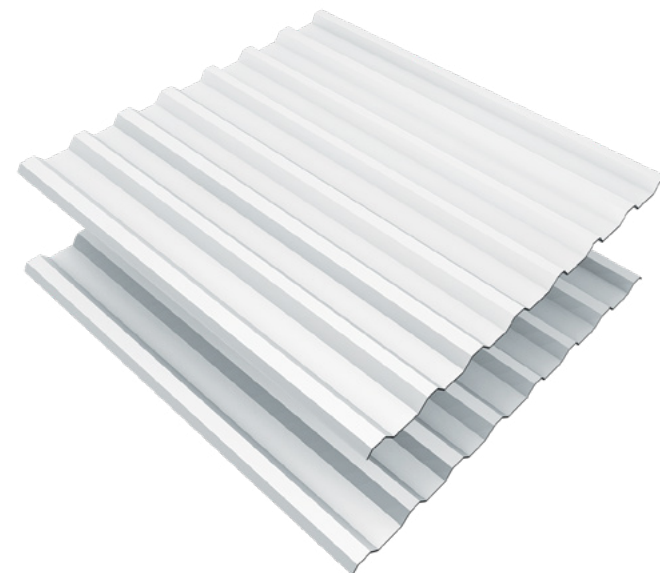


## PRODUCT STRENGTHS

Easy to handle, light and easy to install. With a high durability it is also resistant to environmental changes and high temperatures.

## USES

**Prolet Ultra** is a very versatile product, it can be used in any kind of construction. It works well in roofs and in walls.



## TECHNICAL INFO

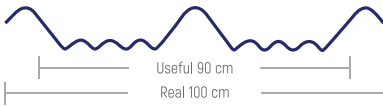
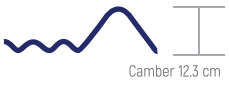

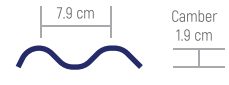

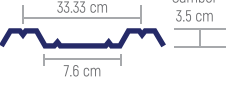

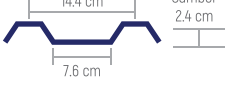

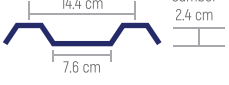






PROLET ULTRA is an acrylic – polyester laminated plastic reinforced fiberglass and UV ULTRA Protection ideal for industrial warehouses and long lasting buildings.





|   | ASTM<br>NORM D-1925     | M.U.          | VALUE                    |
|---|-------------------------|---------------|--------------------------|
| <b>PHYSICAL PROPERTIES</b>              |                         |               |                          |
| Light transmission                      | D-1494                  | %             | Crystal 85 White 70      |
| <b>MECHANICAL PROPERTIES</b>            |                         |               |                          |
| Flexion resistance                      | D-790                   | PSI           | 21,200                   |
| Bending resistance                      | D-790                   | PSI           | 945, 000                 |
| Bending coefficient                     | D-638                   | PSI           | 10,600                   |
| Tension resistance                      | D-256                   | PSI           | 51,042.88                |
| Impact resistance                       | D-256                   | Lb/in         | 10.9                     |
| <b>CHEMICAL PROPERTIES</b>              |                         |               |                          |
| Concentrated acids 15%                  | Sulfuric                |               | No change                |
|   | Acetic                  |               | No change                |
|   | Hydrochloric            |               | No change                |
|   | Nitric                  |               | No change                |
| Bases                                   | Ammonia                 |               | No change                |
|   | Sodium                  |               | No change                |
|   | Solvents                |               |                          |
| Solvents                                | Thinner                 |               | No change                |
|   | Gasoline                |               | No change                |
|   | alcohol                 |               | No change                |
|   | <b>Other properties</b> |               |                          |
| Barcol hardness                         | D-5261                  |               | 45 - 50                  |
| Shot-S hardness                         | °D                      |               | 85                       |
| Yellowing Index                         | Delta                   |               | 8                        |
| <b>LINE</b>                             |                         | <b>WEIGHT</b> |                          |
| Thicknesses and times duration minimums | Prolet Ultra 15 years   |               | 1.86 kg / m <sup>2</sup> |

## PROFILE

|   |  |
|---|--|
| <b>LA 63: Wavy 100 cm</b><br><br>Useful 90 cm<br>Real 100 cm                        | <input checked="" type="checkbox"/> Trasluscent <input type="checkbox"/> Opaque<br><br>Camber 12.3 cm                           |
| <b>LA 11: O100 Wavy 1.10 cm</b><br><br>Useful 100 cm<br>Real 110 cm                 | <input checked="" type="checkbox"/> Trasluscent <input type="checkbox"/> Opaque<br><br>7.9 cm<br>Camber 1.9 cm                  |
| <b>LA 12: Rn 100/35 Structural 110 cm</b><br><br>Useful 100 cm<br>Real 110 cm      | <input checked="" type="checkbox"/> Trasluscent <input type="checkbox"/> Opaque<br><br>33.33 cm<br>7.6 cm<br>Camber 3.5 cm     |
| <b>LA 50: R-72 Rectangular 82 cm</b><br><br>Useful 72 cm<br>Real 81 cm            | <input checked="" type="checkbox"/> Trasluscent <input type="checkbox"/> Opaque<br><br>14.4 cm<br>7.6 cm<br>Camber 2.4 cm     |
| <b>LA 70: R-101 Rectangular 1.07 cm</b><br><br>Useful 101 cm<br>Real 107 cm       | <input checked="" type="checkbox"/> Trasluscent <input type="checkbox"/> Opaque<br><br>14.4 cm<br>7.6 cm<br>Camber 2.4 cm     |
| <b>LA 59: KR-18 Rectangular T-2 110 cm</b><br><br>Useful 101 cm<br>Real 110 cm    | <input checked="" type="checkbox"/> Trasluscent <input type="checkbox"/> Opaque<br><br>Camber 6.3 cm                          |
| <b>LA 58: KR-18 Rectangular 54 cm</b><br><br>Useful 45.7 cm<br>Real 54 cm         | <input checked="" type="checkbox"/> Trasluscent <input type="checkbox"/> Opaque<br><br>Camber 6.5 cm                          |
| <b>LA 72: GLAMET 1 1/2" Rectangular 110 cm</b><br><br>Useful 98 cm<br>Real 110 cm | <input checked="" type="checkbox"/> Trasluscent <input type="checkbox"/> Opaque<br><br>33.33 cm<br>7.6 cm<br>Camber 1 1/2" cm |

## HANDLING AND STORAGE:

You should consider the following storage indications regarding the PROLET ULTRA sheets when receiving merchandise from LETSA or any other delivery company. Please check the cargo with its shipping number in order to detect any possible anomaly or damage.

When lifting packages with hoists, the forks must be at a 1.60 m distance. Never handle packages while open this may bring big damages to the sheets. Transport slowly in irregular roads in order to avoid any kind of folding in the sheets.

If the sheet measures over 3 m, we recommend lifting with 2 or more individuals from one only side to avoid folding. Never lift the sheets by the extremes and horizontally, it may difficult its transportation and cause damage.

Packages must be stored over the floor at a sufficient height in order to allow airflow and prevent water leaks.

If not installed immediately, the sheets must be stored near the installation place and over a firm surface to prevent any kind of damage.

We recommend consulting a professional to avoid any kind of damage during installation.

If while storing, the sheet makes contact with dust or other contaminant do not worry, because of the practicality of its materials it makes it very easy to clean, just take a damp towel and wipe the surface.



## ATTACHMENTS AND OVERLAYS

LETSA recommends a professional or supervised installation. While its installation is very easy let us remember that not doing it correctly may damage the sheets.

Attachment and overlay example:

Simple position



Double position (improves waterproofing)



## LETSA RECOMMENDS

### TIP DRILL SCREW WITH PACKING RING:

Allows a clean and safe installation quick and with less effort, available with or without the galvanized EPDM ring which helps preventing leaks, the only ones with a 5 micron galvanization.

Tip #3 is designed to drill easily on sheets with a 0.36" to a 210" thickness.



### HOOK FOR CONSTRUCTION SHEETS:

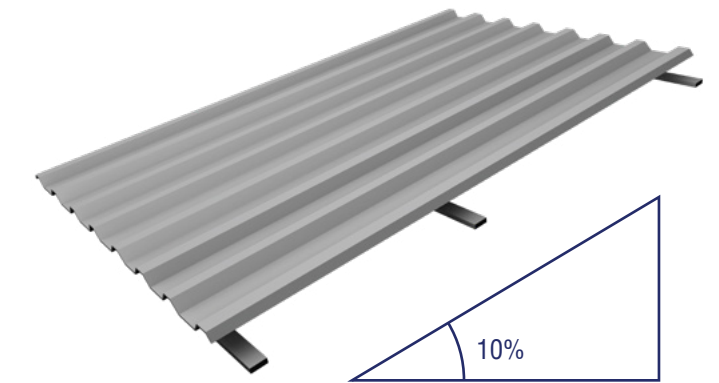
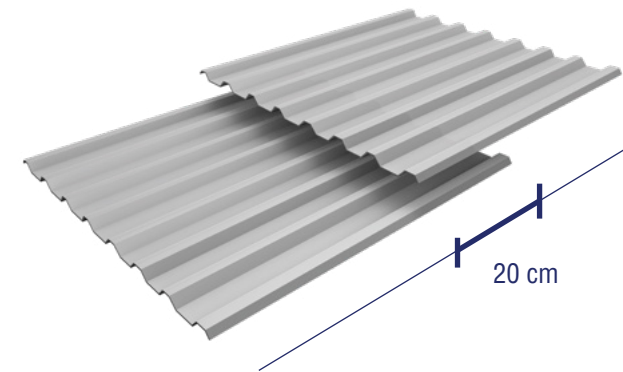
Due to its shape it is able to bend and this gives a high wind resistance. You can find them straight, "c" or "j" shaped usually with a PVC Rubber.



## RECOMMENDATIONS WHILE INSTALLING

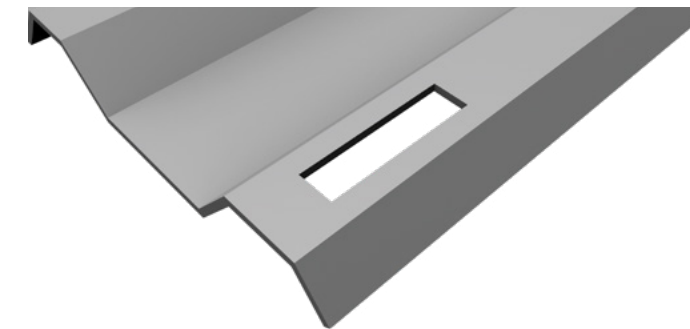
When dealing with many sheets in a lengthwise position its necessary to install transversally and to have at least a 20 cm overlap.

The recommended distance between supports is 1.20 m minimum and a maximum of 1.50 m.



**100%**  
**MADE IN MEXICO**

**LETSA**  
letsa.mx



| 6mm Diameter screws |        |
|---------------------|--------|
| Sheet length        | Groove |
| Up to 2 m.          | 10 mm  |
| Up to 4 m.          | 12 mm  |
| Up to 6 m.          | 15 mm  |
| Up to 8 m.          | 20 mm  |
| Up to 10 m.         | 25 mm  |

**IMPORTANT:**  
You must use a flat surface to step on the sheet.

Never allow the sheets to carry overweight. Use roof ladders while installing. Clean all disposable material in the sheets when finishing.



**letsa .mx**

 **Km 1.5 Carretera Antigua San Isidro Mazatepec,**  
San Agustin, Mpio Tlajomulco de Zuñiga, Jalisco, C.P. 45640

 **33 1011 3622**

01 (33) 3686 0765, 01 (33) 3686 0674  
01 (33) 3686 2028, 01 (33) 3686 1065