
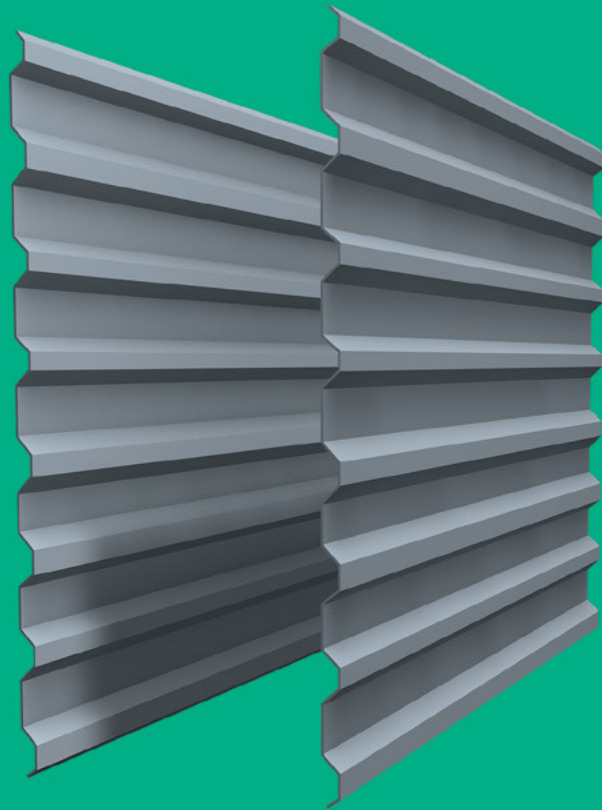




PROLET[®]
BY 
LETSA

THE BEST OPAQUE SHEETS



UV Protection



Durability



Resistance



Shipping



Price



Energy saving



PRODUCT STRENGTHS

Easy to handle, easy installation, easy to cut, anticorrosive, hygienic, low cost, resistant.

USES

PROLET is a very versatile product, it can be used in any kind of industrial warehouse, poultry and pig farms and cooling towers.

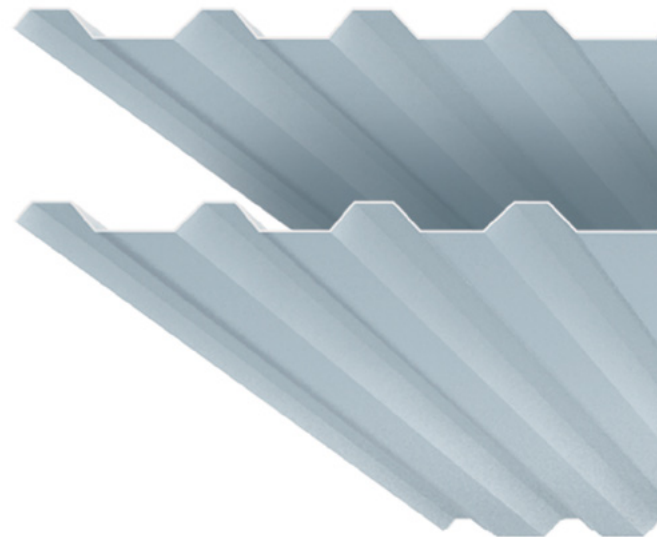


TECHNICAL INFO

PROLET is an acrylic - polyester laminated plastic reinforced with 70% resin and 30% fiberglass ideal for INDUSTRIAL warehouse use.

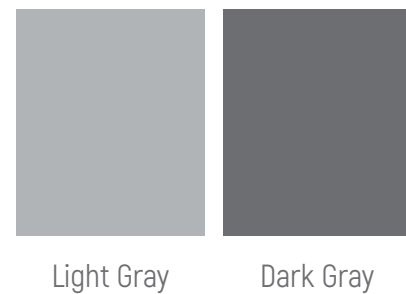
DESIGNED WITH TECHNOLOGY

PROLET is an Opaque Polymer long lasting sheet that is not translucent and has an excellent resistance to extreme weather. Its composition makes it nonabsorbent. Handles both low and high temperatures from -100°C to 200°C.

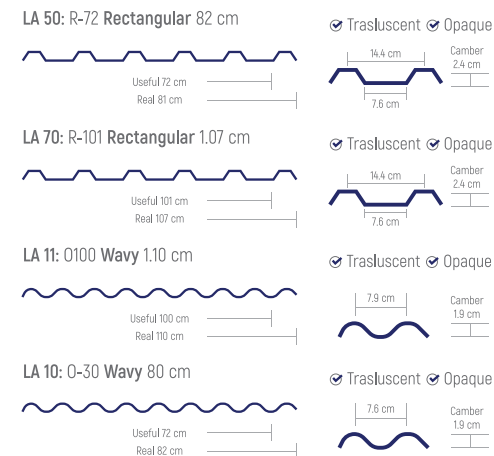




AVAILABLE COLORS



PROFILE



	ASTM NORM	M.U.	VALUE
PHYSICAL PROPERTIES			White Crystal
Yellowing	D-1494	%	85 70
MECHANICAL PROPERTIES			
Bending resistance	D-790	PSI	24,891
Tension resistance	D-790	PSI	939, 400
Tension resistance	D-638	PSI	12,809
Impact resistance	D-256	Lb/in	10.9
CHEMICAL PROPERTIES			
Concentrated acids 15%	Sulfuric		No change
	Acetic		No change
	Hydrochloric		No change
	Nitric		No change
Bases	Ammonia		No change
	Sodium		No change
	Thinner		No change
Solvents	Gasolinet		No change
	Alcohol		
OTHER PROPERTIES			
Barcol hardness	D-5261		45 - 50
Shot-S hardness		°D	85

Due to its excellent functionality in any climate, Prolet has been well received in countries that are very humid and hot, since it has UV inhibitors, so it does not allow the sun's rays to radiate heat through the sheet.

Prolet is excellent as a thermal and acoustic insulator at the same time.

HANDLING AND STORAGE:

You should consider the following storage indications regarding the Prolet sheets when receiving merchandise from LETSA or any other delivery company. Please check the cargo with its shipping number in order to detect any possible anomaly or damage.

When lifting packages with forklifts, the forks must be at a 1.60 m distance. Never handle packages while open this may bring big damages to the sheets. Transport slowly in irregular roads in order to avoid any kind of folding in the sheets.

If the sheet measures over 3 m, we recommend lifting with 2 or more individuals from only one side to avoid folding. Never lift the sheets by its ends or horizontally, it is difficult and dangerous.

Packages must be stored over the floor at a sufficient height in order to allow air flow and prevent water leaks.

If not installed immediately, the sheets must be stored near the installation place and over a firm surface to prevent any kind of damage.

If while storing, the sheet makes contact with dust do not worry, just take a damp towel and clean the surface.



ATTACHMENTS AND OVERLAYS

LETSA recommends a professional or supervised installation. While its installation is very easy let's remember that not doing it correctly may damage the sheets.

Attachment and overlay example:

Simple position



Double position (improves waterproofing)



LETSA RECOMMENDS:

TIP DRILL SCREW WITH PACKING RING:

Allows a clean and safe installation quick and with less effort, available with or without the galvanized EPDM ring which helps preventing leaks, the only ones with a 5 micron galvanization.

Tip #3 is designed to drill easily on sheets with a 0.36" to a 210" thickness.



HOOK FOR CONSTRUCTION SHEETS:

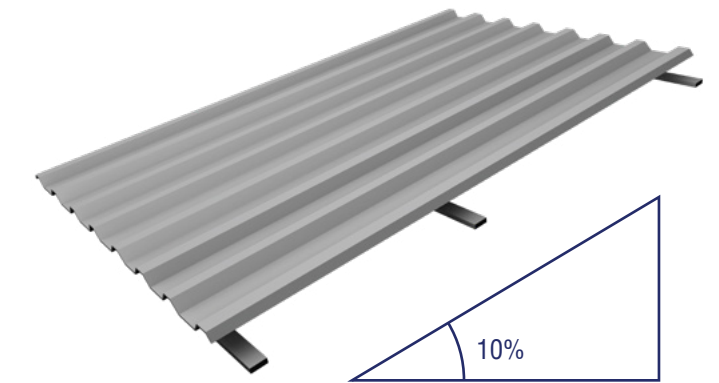
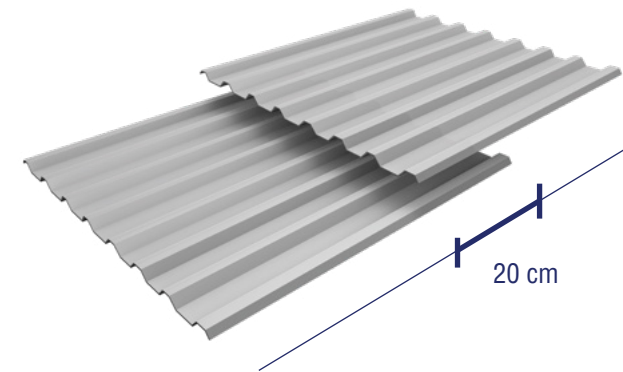
Due to its shape it is able to bend and this gives a high wind resistance. You can find them straight, "c" or "j" shaped usually with a PVC Rubber.



RECOMMENDATIONS WHILE INSTALLING

When dealing with many sheets in a lengthwise position its necessary to install transversally and to have at least a 20 cm overlap.

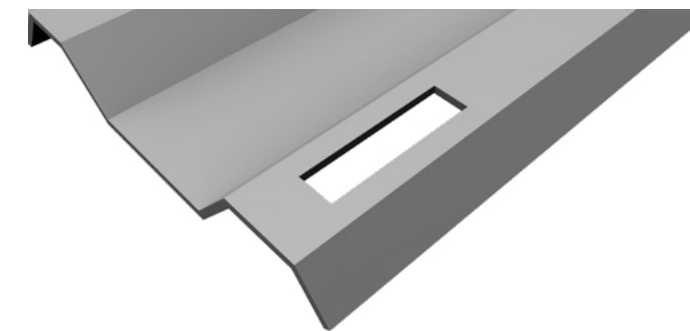
The recommended distance between supports is 1.20 m minimum and a maximum of 1.50 m.



100%
MADE IN MEXICO

LETSA
letsa.mx

To facilitate the flow of rainwater, Letsa recommends the installation of the sheet with at least a 10% inclination.



6mm Diameter screws	
Sheet length	Groove
Up to 2 m.	10 mm
Up to 4 m.	12 mm
Up to 6 m.	15 mm
Up to 8 m.	20 mm
Up to 10 m.	25 mm

IMPORTANT:
You must use a flat surface to step on the sheet.

Never allow the sheets to carry overweight. Use roof ladders while installing. Clean all disposable material in the sheets when finishing.



letsa .mx

 **Km 1.5 Carretera Antigua San Isidro Mazatepec,**
San Agustin, Mpio Tlajomulco de Zuñiga, Jalisco, C.P. 45640

 **33 1011 3622**

01 (33) 3686 0765, 01 (33) 3686 0674
01 (33) 3686 2028, 01 (33) 3686 1065