

LE TSA PVC

ANTICORROSIVE THERMAL SHEET

BY 
LE TSA

10 YEARS

GUARANTEE



FARMS



COASTAL
AREAS



SPORT
FACILITIES



HOUSES



INDUSTRY



LETSAPVC
ANTICORROSIVE THERMAL SHEET
BY 

It is a 3-layer thermal and anticorrosive sheet with a foamed pvc core that helps reducing the temperature.

Ideal for poultry and swine farms as well as industrial matters.

ADVANTAGES

- Reduces heat stress
- Anticorrosion and chemical resistance
- Heat insulating and resistant to UV rays
- Environmentally friendly
- Sound insulating
- Weather resistance
- Memory and flexibility
- Fire resistance

Material: PVC/UPVC

Layers: 3

Thickness: 2mm

Width: 1360mm

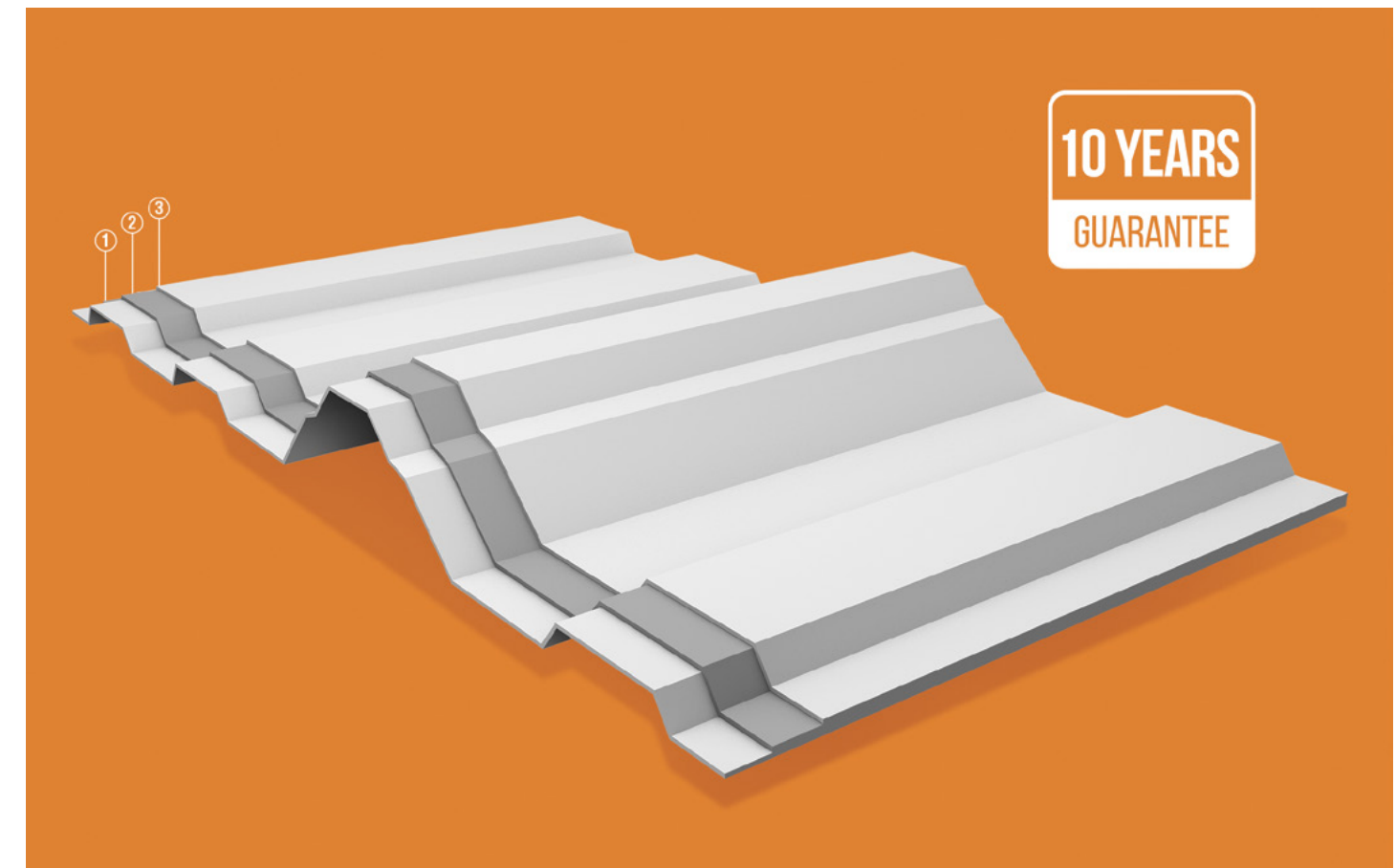
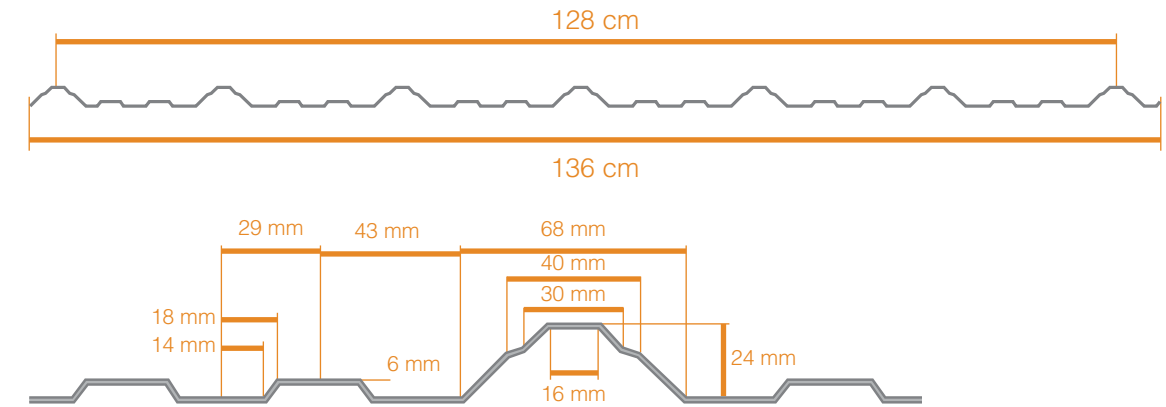
Length: 4.88, 5.50, 6.10, 7.32

Weight: 4kg/m²

Distance between supports: 0.80 to 1.10

Because of its excellent functionality in any weather, **LETSAPVC** has been well received in damp and warm countries.

PROFILE





HANDLING AND STORAGE:

You should consider the following storage indications regarding the LetsaPVC sheets when receiving merchandise from LETSA or any other delivery company. Please check the cargo with its shipping number in order to detect any possible anomaly or damage.

When lifting packages with forklifts, the forks must be at a 1.60 m distance. To avoid damaging the sheets, never handle open packages. Transport slowly in irregular roads in order to avoid any kind of folding in the sheets.

If the sheet measures over 3 m, we recommend lifting with 2 or more individuals from only one side to avoid folding. Never lift the sheets by its ends or horizontally, it is difficult and dangerous.

If not installed immediately, the sheets must be stored near the installation place and over a firm surface to prevent any kind of damage.

We recommend consulting a professional to avoid any kind of damage during installation.

If while storing, the sheet makes contact with dust or other contaminant do not worry, because of the practicality of its materials it makes it very easy to clean, just take a damp towel and wipe the surface.



PROPERTIES	ASTM NORMS	M.U.	VALUE
Bending Resistance	D790-02	Kg/cm2	237.29
Tension Resistance	D638-10	Kg/cm2	581.29
Resistant to push	D74932-09	Kgs	96.3
Water Absorption	D570	%	0.1
Vicat softening temperature	D1525-09	°C	75.1
Flammability	D635		Auto extinguishable
Dimensional expansion	D696	0.17%	High temperature
Dimensional contraction	D696	0.16%	Low temperature
Thermal conductivity	C177	w/(m*k)	.71
Heat transmission	C177	U index	85
Smoke consistency	D2843	SDR	58.8
Impact Proof	D1709		Acceptable
Acoustic Behavior	E-596-2009 EPA	%	30%
Accelerated aging in QUV	G53-96		20 years

APPLICATIONS AND USES

- Agricultural
- Industrial
- Miner
- Pharmacist
- Food plants
- Social programs
- Commercial
- Urban



ATTACHMENTS AND OVERLAYS

LETSA recommends a professional or supervised installation. While its installation is very easy let us remember that not doing it correctly may damage the sheets.

Attachment and overlay example:

Simple position



Double position (improves waterproofing)



LE TSA RECOMMENDS:

TIP DRILL SCREW WITH PACKING RING:

Allows a clean and safe installation quick and with less effort, available with or without the galvanized EPDM ring which helps preventing leaks, the only ones with a 5 micron galvanization.

Tip #3 is designed to drill easily on sheets with a 0.36" to a 210" thickness.



HOOK FOR CONSTRUCTION SHEETS:

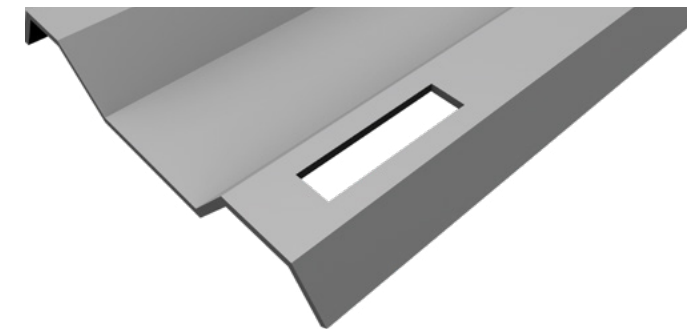
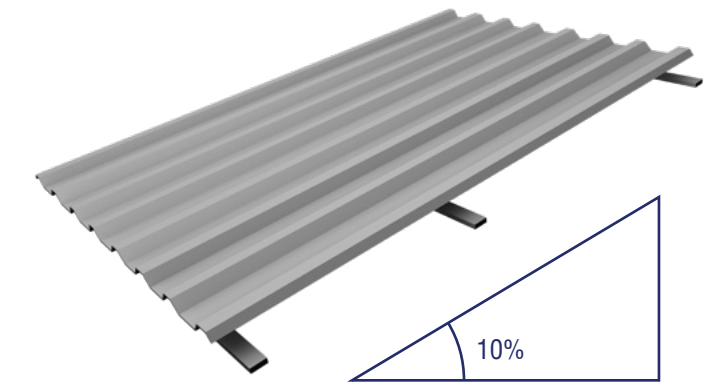
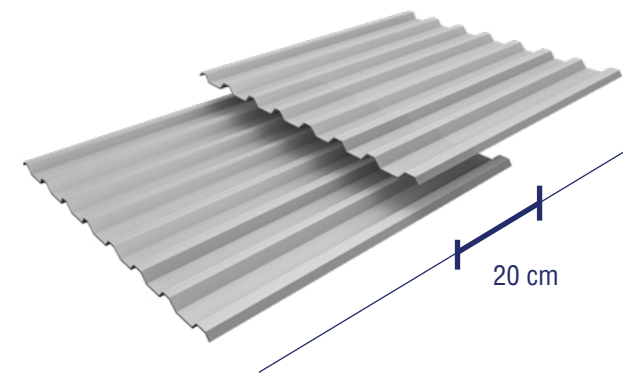
Due to its shape it is able to bend and this gives a high wind and water resistance. You can find them straight, "c" or "j" shaped usually with a PVC Rubber.



RECOMMENDATIONS WHILE INSTALLING

In case of positioning several sheets longitudinally, perform transversely and be at least 20 centimeters across the overlap.

The recommended distance between supports is 1m minimum and a maximum of 1.10 m.



6mm Diameter screws	
Sheet length	Groove
Up to 2 m.	10 mm
Up to 4 m.	12 mm
Up to 6 m.	15 mm
Up to 8 m.	20 mm
Up to 10 m.	25 mm

IMPORTANT:

You must use a flat surface to step on the sheet.

Never allow the sheets to carry overweight. Use roof ladders while installing. Clean all disposable material in the sheets when finishing.

100%
MADE IN MEXICO

LE TSA
letsa.mx



letsa .mx

 **Km 1.5 Carretera Antigua San Isidro Mazatepec,**
San Agustin, Mpio Tlajomulco de Zuñiga, Jalisco, C.P. 45640

 **33 1011 3622**

01 (33) 3686 0765, 01 (33) 3686 0674
01 (33) 3686 2028, 01 (33) 3686 1065